

# SPARE PARTS / PIÈCES DE RECHANGE / RECAMBIOS

## SCOOTER

### PAG



### GASKETS / JOINTES / JUNTAS

										JUN101R SILENCER	JUN102R 54 x 2	JUN103R 18 x 2,5	JUN104R 48 x 2	JUN106R VITON Ø 28	JUN108R CYLINDER	JUN109R CYLINDER	MLR501R SHORT	MLR502R LONG
TUB 225	R	07	SIL040R	SILB060R	SIL042R	SIL041R	ABZ060R	BSP225R	---	x 1	x 2	x 2	x 1	---	x 1	---	x 1	---
TUB 306	Z	05	SIL034R	SILB061R	SIL047R	SIL035R	ABZ060R	BSP306R	---	x 1	x 2	---	x 1	---	---	x 1	---	---
TUB 307	R	07	SIL040R	SILB060R	SIL042R	SIL041R	ABZ060R	BSP307R	---	x 1	x 2	x 2	x 1	---	---	x 1	x 1	---
TUB 308	CARRERA 16	10	SIL040R	SILB060R	SIL042R	SIL041R	ABZ060R	BSP308R	BOQ308R	x 1	x 2	x 2	x 1	---	---	---	x 3	---
TUB 317	R / 07	09	SIL040R	SILB060R	SIL042R	SIL041R	ABZ060R	BSP317R	BOQ317R	x 1	x 2	x 2	x 1	x 1	---	---	x 3	---
TUB 326	16 / 07	09	SIL040R	SILB060R	SIL042R	SIL041R	ABZ060R	BSP326R	BOQ326R	x 1	x 2	x 2	x 1	x 1	---	---	x 3	---
TUB 418	Z	06	SIL034R	SILB061R	SIL047R	SIL035R	ABZ060R	BSP418R	---	x 1	x 2	---	x 1	---	---	---	---	---
TUB 420	R	08	SIL040R	SILB060R	SIL042R	SIL041R	ABZ060R	BSP420R	---	x 1	x 2	x 2	x 1	---	---	---	x 1	---
TUB 423	CARRERA 16	10	SIL040R	SILB060R	SIL042R	SIL041R	ABZ060R	BSP423R	BOQ423R	x 1	x 2	x 2	x 1	---	---	---	x 1	x 2
TUB 424	CARRERA 20	11	SIL040R	SILB060R	SIL042R	SIL041R	ABZ060R	BSP424R	BOQ424R	x 1	x 2	x 2	x 1	---	---	---	x 1	x 2
TUB 428	16 / 07	09	SIL040R	SILB060R	SIL042R	SIL041R	ABZ060R	BSP428R	BOQ428R	x 1	x 2	x 2	x 1	x 1	---	---	x 3	---
TUB 429	CARRERA 21	11	SIL040R	SILB060R	SIL042R	SIL041R	ABZ060R	BSP429R	BOQ429R	x 1	x 2	x 2	x 1	---	---	---	x 1	x 2
TUB 430	CARRERA 30	12	---	---	SIL054RC	SIL054R	ABZ060R	BSP430R	BOQ424R	---	---	---	---	---	---	---	x 1	x 2
TUB 709	Z	06	SIL034R	SILB061R	SIL047R	SIL035R	ABZ060R	BSP709R	---	x 1	x 2	---	x 1	---	---	x 1	---	---
TUB 710	R	08	SIL040R	SILB060R	SIL042R	SIL041R	ABZ060R	BSP710R	---	x 1	x 2	x 2	x 1	---	---	x 1	x 1	---
TUB 901	Z	05	SIL034R	SILB061R	SIL047R	SIL035R	ABZ060R	BSP901R	---	x 1	x 2	---	x 1	---	---	x 1	---	---
TUB 902	R	07	SIL040R	SILB060R	SIL042R	SIL041R	ABZ060R	BSP902R	---	x 1	x 2	x 2	x 1	---	---	x 1	x 1	---
TUB 906	CARRERA 16	10	SIL040R	SILB060R	SIL042R	SIL041R	ABZ060R	BSP906R	BOQ906R	x 1	x 2	x 2	x 1	---	---	---	x 3	---
TUB 907	CARRERA 20	11	SIL040R	SILB060R	SIL042R	SIL041R	ABZ060R	BSP907R	BOQ910R	x 1	x 2	x 2	x 1	---	---	---	x 3	---
TUB 910	CARRERA 21	12	SIL040R	SILB060R	SIL042R	SIL041R	ABZ060R	BSP910R	BOQ910R	x 1	x 2	x 2	x 1	---	---	---	x 3	---
TUB 911	CARRERA 30	12	---	---	SIL054RC	SIL054R	ABZ060R	BSP911R	---	---	---	---	---	---	---	---	x 3	---
TUB 1001	Z	06	SIL034R	SILB061R	SIL047R	SIL035R	ABZ060R	BSP1001R	---	x 1	x 2	---	x 1	---	x 1	---	---	---
TUB 1002	R	08	SIL040R	SILB060R	SIL042R	SIL041R	ABZ060R	BSP1002R	---	x 1	x 2	x 2	x 1	---	x 1	---	x 1	---

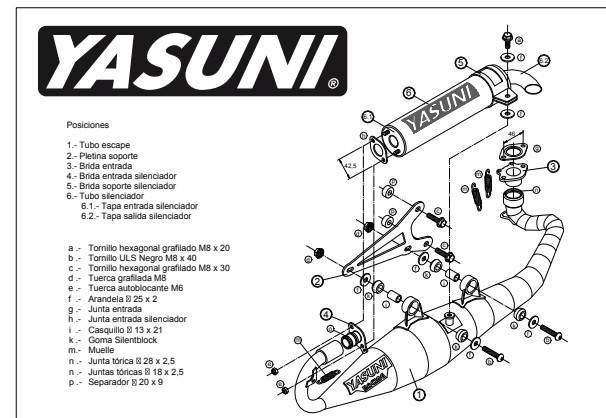
**PARTS COMMON TO ALL MODELS / PIÈCES DE RECHANGE POUR TOUS LES MODÈLES / RECAMBIOS COMUNES A TODOS LOS MODELOS:** SILENT BLOCK / SILENT BLOC / SILENTBLOC > **SBL601R**  
 SILENCER FIBERGLASS WOOL / FIBRE DE VERRE POUR SILENCIEUX / FIBRA DE VIDRIO SILENCIADOR > **FIB001R** • INNER TUBE SILENCER / TUBE INTERIEUR SILENCIEUX / COQUILLA SILENCIADOR > **COQ302R**



YOU WILL FIND THE INSTALLATION DIAGRAMS, AND THE COMPLETE BREAKDOWN (PDF FORMAT), ON OUR WEBSITE ...  
 ON PEUT TROUVER LES SCHEMAS D'INSTALLATION, ET LES DIAGRAMMES DE PIÈCES (EN FORMAT PDF), SUR NOTRE SITE WEB ...  
 PUEDE ENCONTRAR LOS ESQUEMAS DE MONTAJE, Y LOS DESPIECES COMPLETOS (FORMATO PDF), EN NUESTRA PAGINA WEB ...

[yasuni.com](http://yasuni.com)

TUNING SAMPLES WITH YASUNI COMPONENTS  
 (PRIVATE SAMPLES, NOT YASUNI OFFICIAL).  
 EXEMPLES DE TRANSFORMATIONS AVEC COMPOSANTS YASUNI  
 (PRIVÉS, PAS OFFICIELLES).  
 EJEMPLOS DE TRANSFORMACIONES CON COMPONENTES YASUNI  
 (PARTICULARES, NO OFICIALES).



For other samples see our / Pour autres exemples voir notre / Para otros ejemplos ver nuestro ...

sample / example / ejemplo