



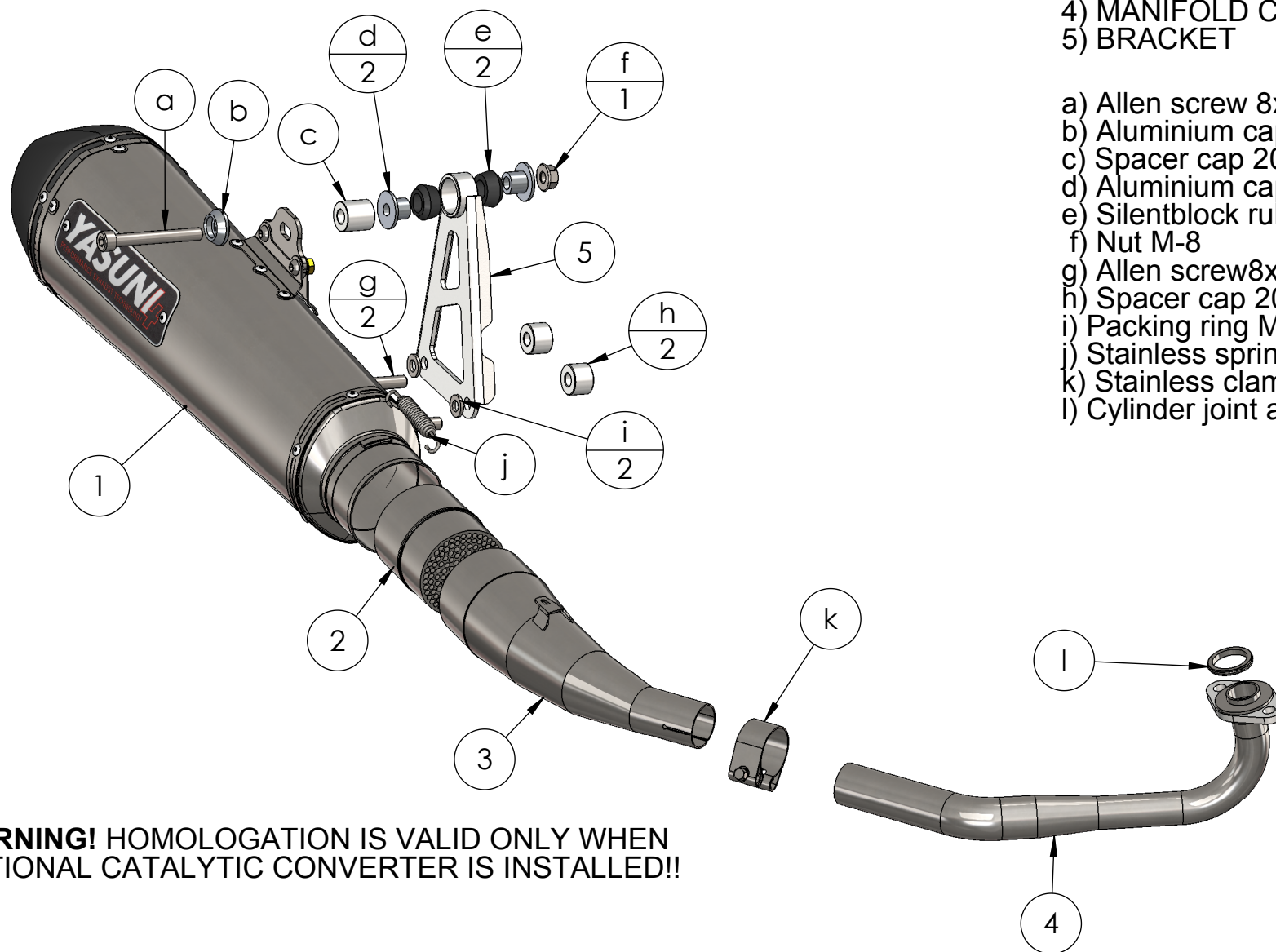
TUB 1201

APPLICABLE KYMCO AGILITY 125 (12-15)

POSITIONS

- 1) SILC-120
- 2) CATALYST Y-CAT-002 (OPTIONAL)
- 3) MANIFOLD AGILITY
- 4) MANIFOLD CYLINDER
- 5) BRACKET

- a) Allen screw 8x65
- b) Aluminium cap
- c) Spacer cap 20x20
- d) Aluminium cap silentblock
- e) Silentblock rubber
- f) Nut M-8
- g) Allen screw 8x60
- h) Spacer cap 20x14
- i) Packing ring M-8
- j) Stainless spring
- k) Stainless clamp 29-31
- l) Cylinder joint agility



WARNING! HOMOLOGATION IS VALID ONLY WHEN
OPTIONAL CATALYTIC CONVERTER IS INSTALLED!!