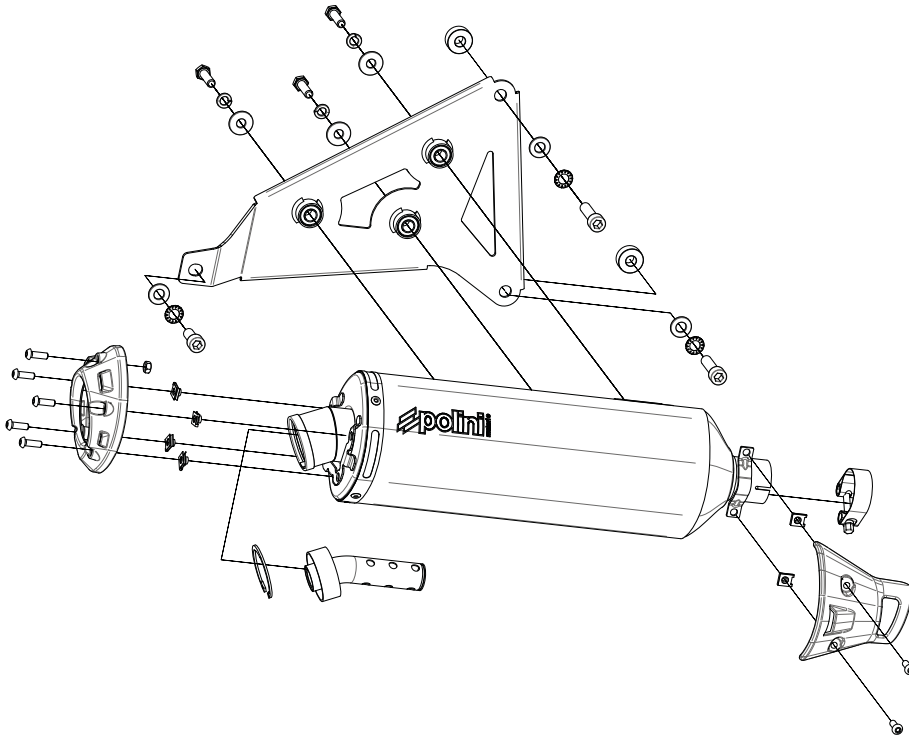
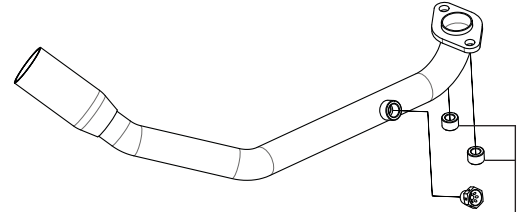


# Kymco Xciting 300i R '08-14

Silencer



Collector



**SOLO PER KYMCO XCITING 300i**

Innestare il collettore al cilindro e fissarlo con la bulloneria originale inserendo tra la flangia e i bulloni i 2 spessori in acciaio forniti ne l kit (vedi immagine)

**ONLY FOR KYMCO XCITING 300i**

Fit the pipe to the engine and secure it using the original bolts and nuts; be sure to place the 2 steel spacers you find in the fitting kit between the flange and the bolts (as shown in the picture)