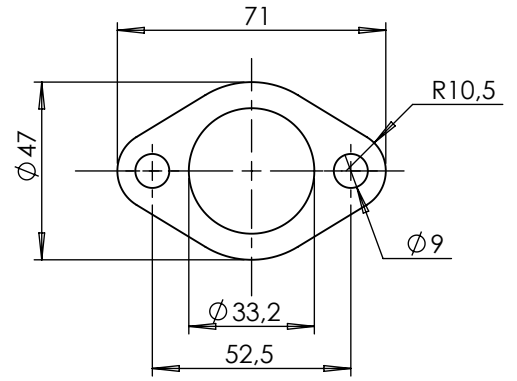
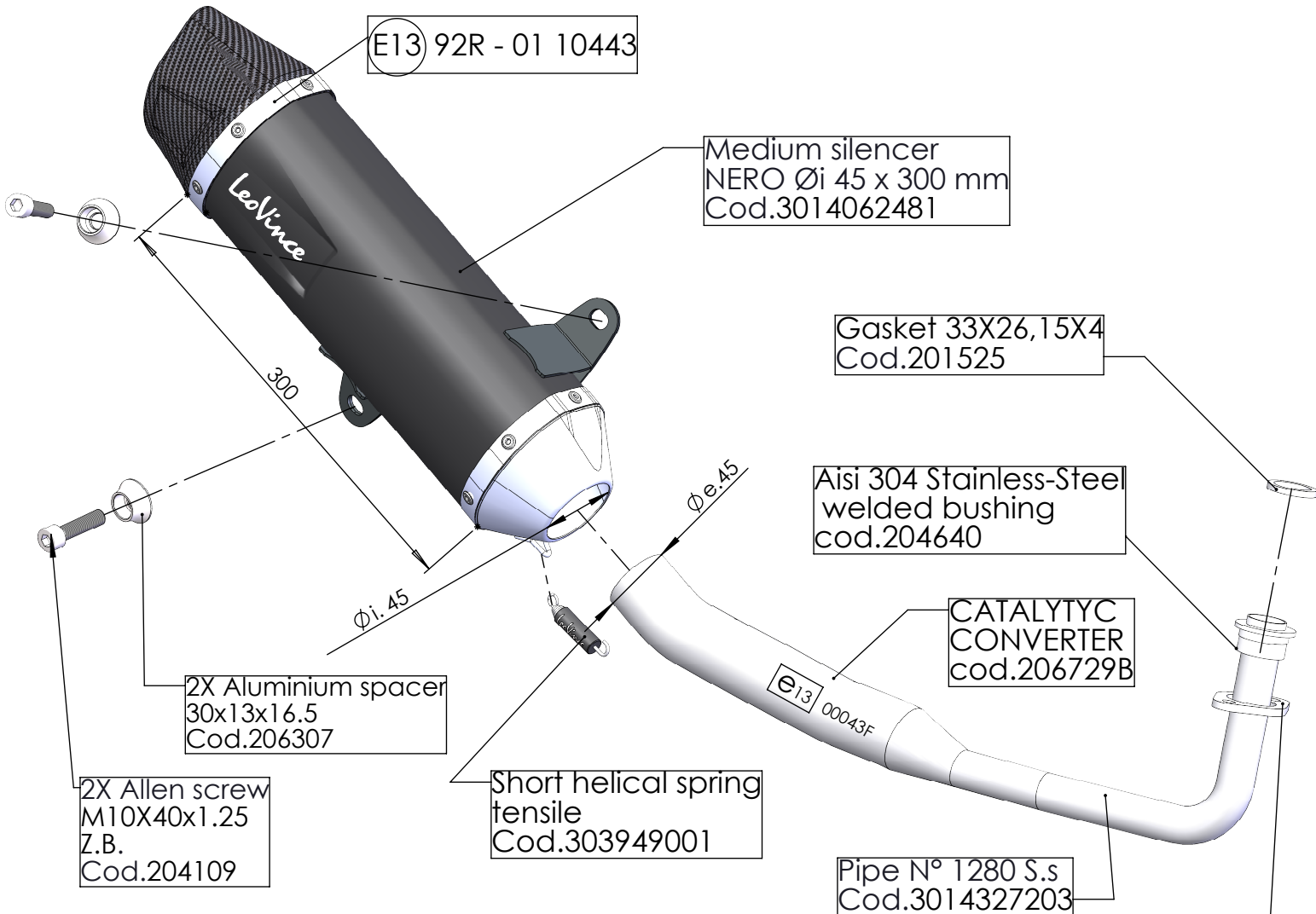


Bushing  
Cod. 204640



Flange 43E Sp. 5mm  
Cod. 206308



**WARNING**

it is advisable to optimize the carburation by remapping the stock ECU or by adopting an additional ECU unit.

**ART.14062K**

**HONDA PCX 125**

**FULL SYSTEM 1/1 - NERO - STAINLESS STEEL - APPROVED**